

LUCAS

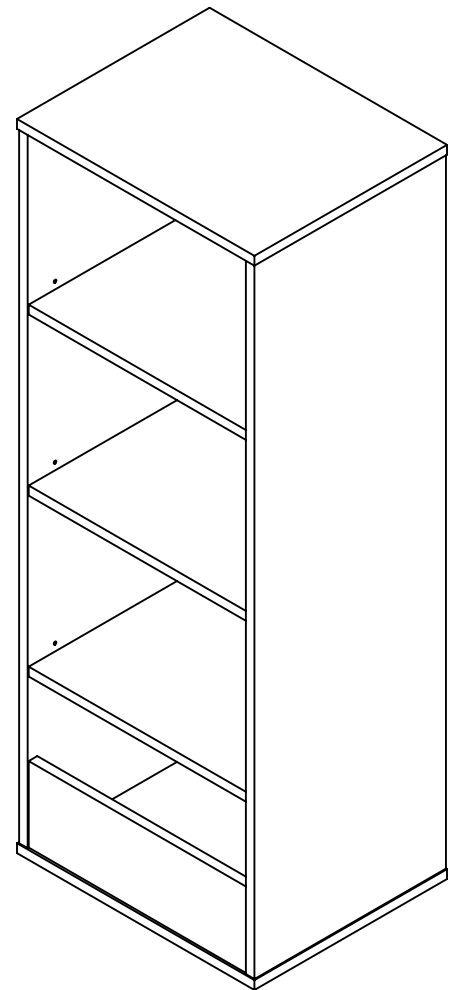
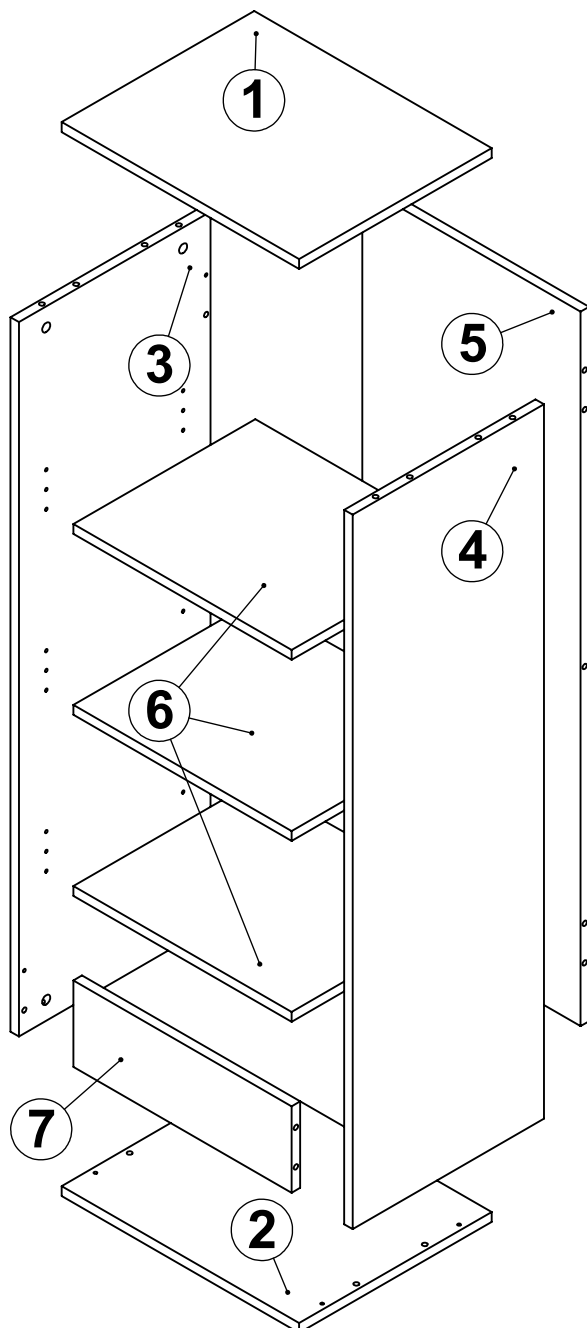
002 / 317/2023


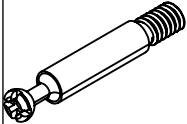
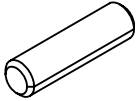
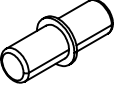
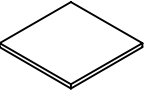

BOOKCASE SMALL HS

ART CODE: 456 23 201

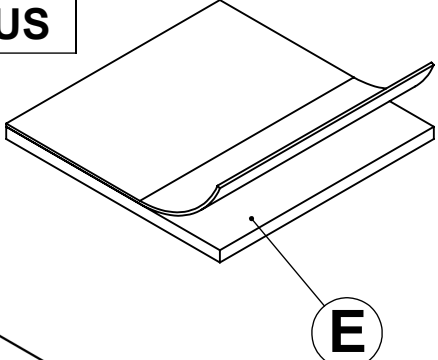
bopita®

"BOPITA"
LION INTERNATIONAL B.V.
ENERGIEWEG 1
6662 NS ELST GLD
NEDERLAND
www.bopita.com

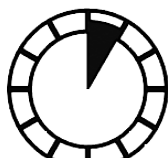
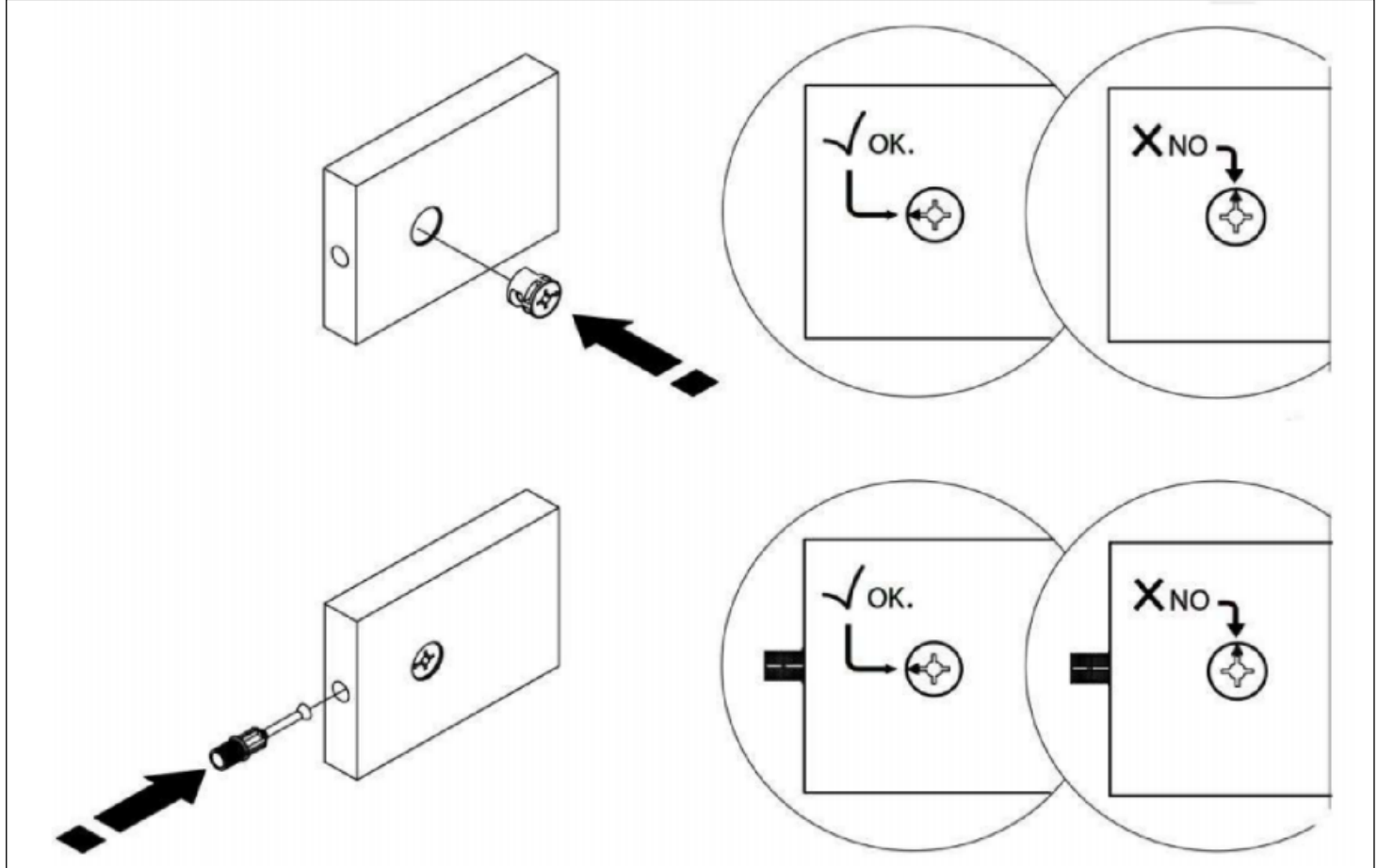
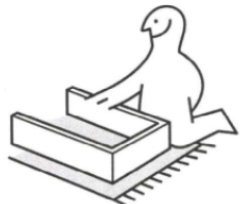
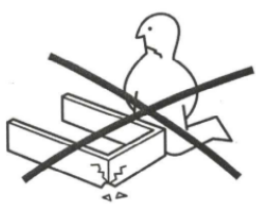
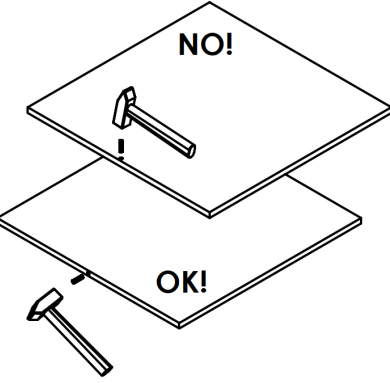


		 8x30			
A x 16	B x 16	C x 14	D x 12	E x 4	IMBUS

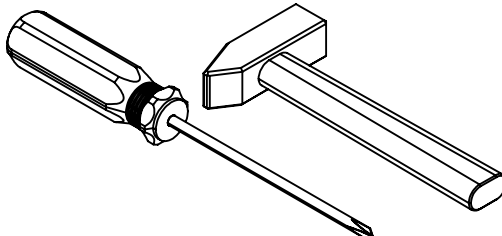
BEFORE ASSEMBLY



E



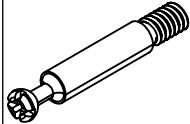
45 min.



STEP - 1

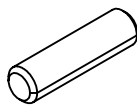


Ax16



Bx16

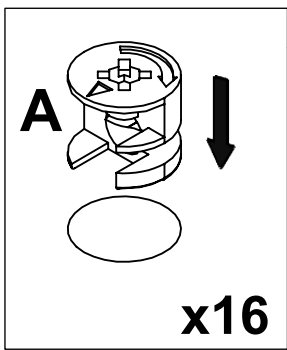
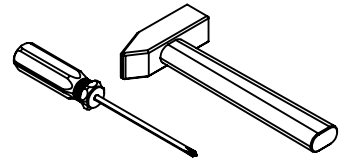
8x30



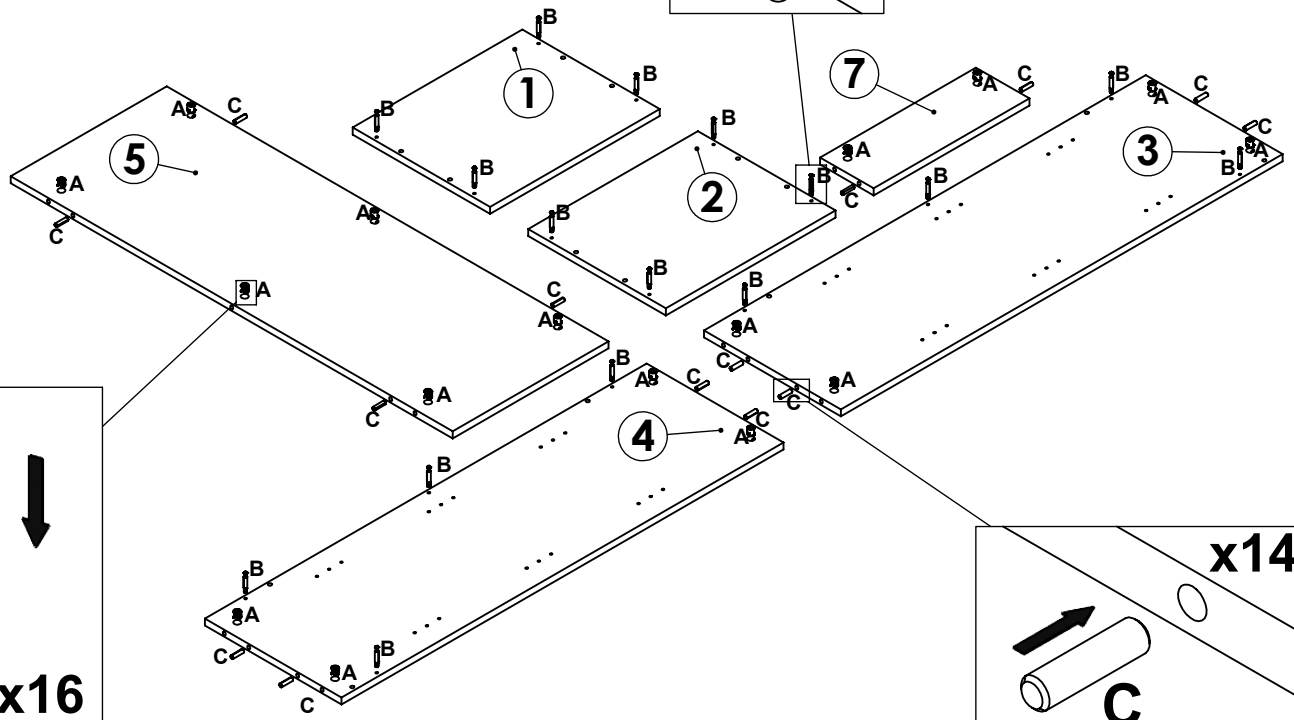
Cx14

x16

B



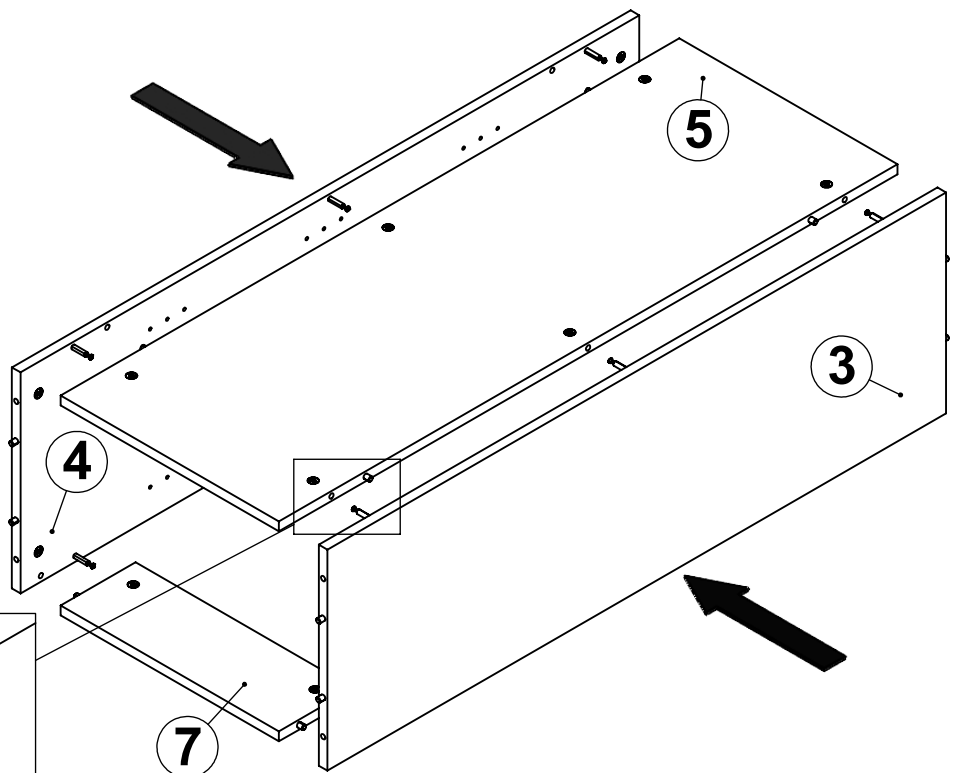
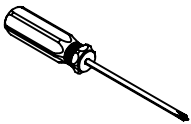
x16



x14

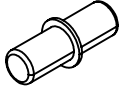
C

STEP - 2

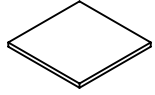


x8

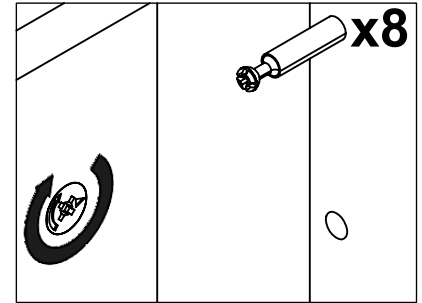
STEP - 3



Dx12



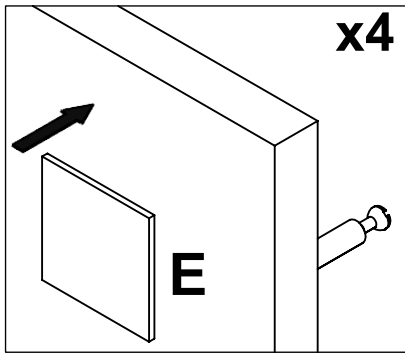
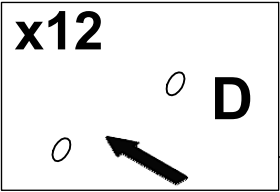
Ex4



x8

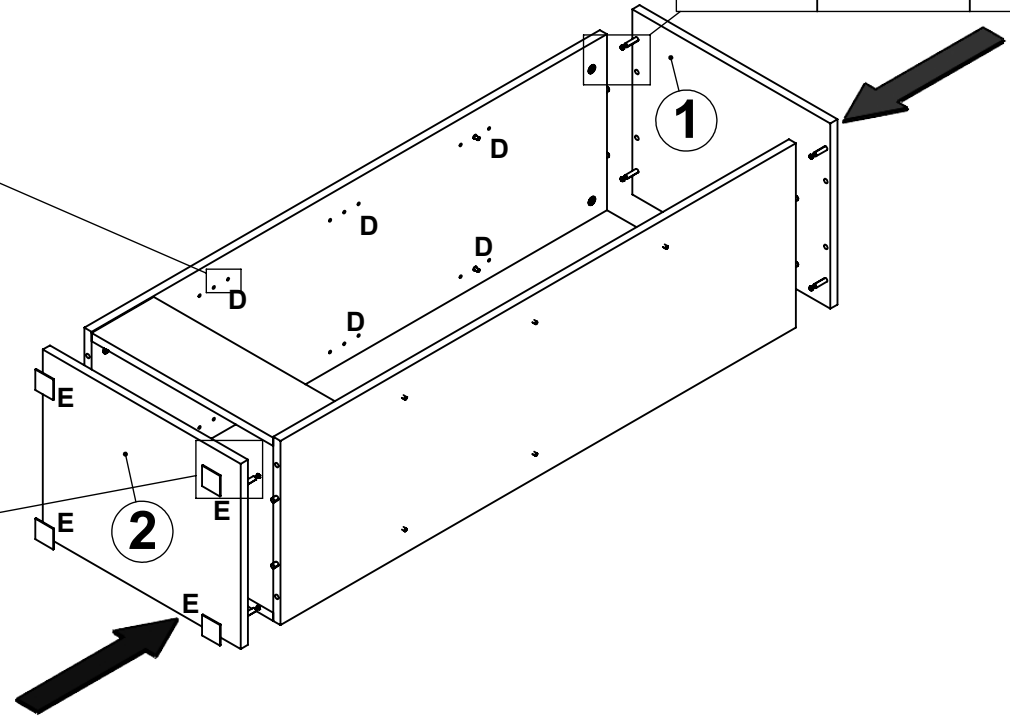
x12

D

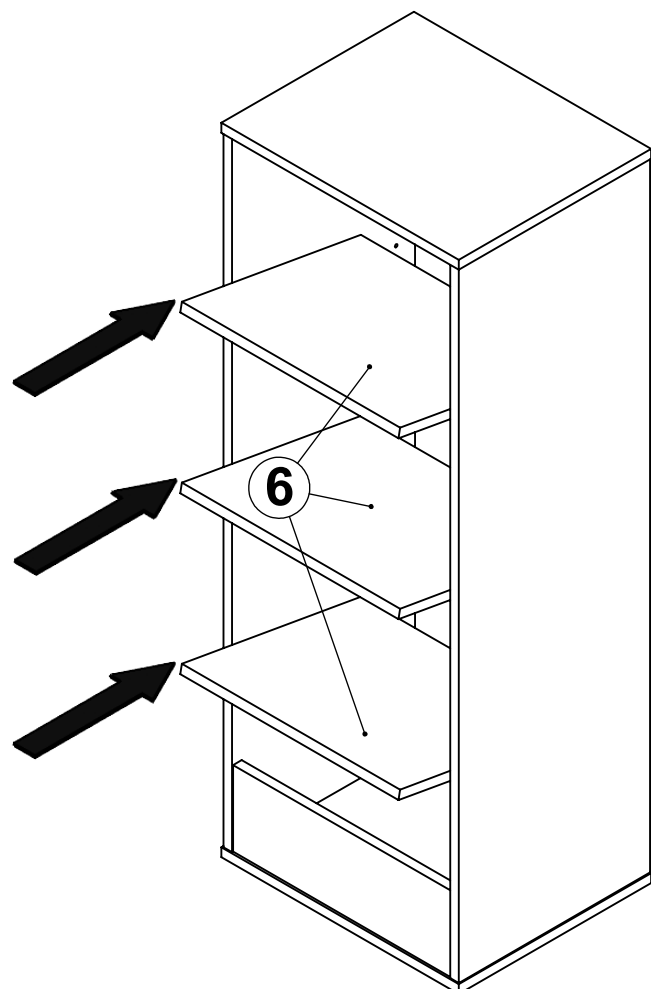


x4

E



STEP - 4



6

QC-CODE

(UK) for service requests

(NL) voor service vragen

(FR) pour les demandes de service

(DE) für Service Anfragen

(ES) para consultas de servicio

(IT) per richieste di assistenza

